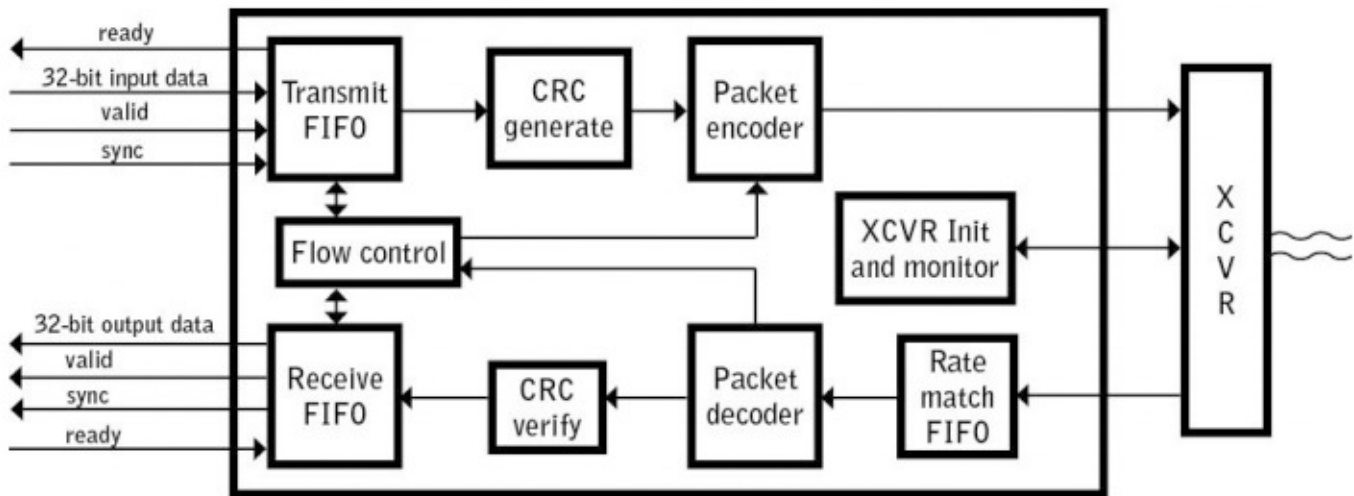


// OVERVIEW



- VITA 17.1-2003 Compliant
- Conforms to FC-PH disparity rules
- Multi-lane channel bonding wrapper
- Independent data / system clock domains
- 600 Mbps to 10+ Gbps serial rate support
- Optional flow control and CRC
- 32-bit user data interface
- Basic control/status interface
- Unidirectional and bidirectional support
- Optional link startup "junk filtering"
- All sFPDP frame types supported
- Unframed data
- Single frame data
- Fixed size repeating frame data
- Dynamic size repeating frame data
- All sFPDP system configurations
- Basic System
- Flow Control
- Bidirectional Data Flow
- Copy Mode
- Copy/Loop Mode

Resource Usage

Registers	LUTs	*RAM
772	841	14 Blocks

* RAM size dependent on user controlled TX and RX FIFO depths

Throughput (per lane)

Line Rate	Throughput
2.5 Gbps	247 MB/s
4.25 Gbps	420 MB/s
5.0 Gbps	494 MB/s
6.375 Gbps	630 MB/s
8.5 Gbps	841 MB/s
10.0 Gbps	990 MB/s

// HIGHLIGHTS

Serial Front Panel Data Port is an industry standard, low-overhead, low-latency, high speed serial communications protocol. sFPDP is ideal for use in applications such as high-speed communication system backplanes, high-bandwidth remote sensor systems, signal processing, data recording, and high-bandwidth video systems. The simple and lightweight nature of the protocol makes it an attractive choice for replacement of parallel bus interconnects using serial transceiver technology. sFPDP can be used in point-to-point or loop topologies, unidirectional or bi-directional links, and easily supports different types of data with efficient and flexible data framing options.